

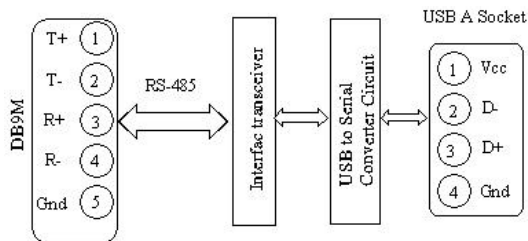


Model: ECD485USB-bp
RS-485 to USB Converter



Product Overview

The ECD485USB-bp is a USB (Universal Serial Bus) to RS-485 converter, this converter requires no PCI/ISA slots or IRQs. Simply plug the unit into an available USB port on your computer or hub. Windows will configure the unit as an additional COM port, compatible with your windows applications. The serial port side (RS-485/422) can be set up for RS-232/Fiber Optics network using other EC Data products. The USB side permits quick set up. Just plug in the ECD485USB-bp and windows will install the drivers and set up the converter. The USB supplies power so no separate power supply is needed.



Specifications

Transmission Mode: Asynchronous, half/full duplex.
Signal Type: RS-485, USB1.1 P&P Feature
Signals Supported: 2-wire or 4-wire

ECD485USB-bp-DS

Data Rates: RS-485/422 Up to 921.6K bps.
Power Requirements: USB bus powered, low power device (draws<100 mA)
Connector: DB9M and USB "A" type socket or plug
OS: Windows95 98SE/2K/Me /XP
Dimensions: 63L x 33W x 17H (mm)
Mechanical / Environment
Operating Range: -40°C to +65°C (Ambient Temperature)
Storage Range: -40°C to +100°C
Relative Humidity: 10 to 90% RH, non-condensing
RS-485 Port: 9-pin, male, gold pins rated 500 cycles
USB Port: USB "A" socket/plug
Case Material: Plastic.
Weight: Approx 20g

Installation

USB interface

Simple plug the unit into the USB port on your PC, window will configure the unit as an additional COM port, compatible with your windows application.

With the release of V.1.02.07, EC Data has introduced a properties which allows the user to change the COM port number of a USB serial port:

From **Control Panel**, select **System**, then **Device Manager**, select **“view**



devices by type”, then “Ports(COM & LPT)”. Select **USB serial port** and click **Properties**. Select the “**Port Setting**” tab, then click **Advanced**. Choose the required **COM port number** from the list and click **OK**

Note:

If a device is connected to the USB serial port when the port number is changed, it will continue to work under the new port number.

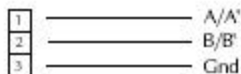
If a device had been attached to the USB serial port but was not attached when the port number was changed, it will not work when re-attached under the new port number. In this case, the device must be removed from the system and re-installed.

In general, if there are devices in the system which has been attached previously to the USB serial port, they may not work after the port number has been changed. If this is true, remove the device from the system and re-install it.

Connection to the RS-485 Interface

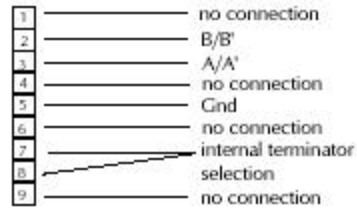
To function properly, the converter must Has one twisted pair of metallic wire. This pair must be unconditioned metallic wire, solid conductor, unshielded twisted pair, between 19 and 26 AWG (the higher numbered gauges may limit distance somewhat).

Terminal Block configuration (RS-485)



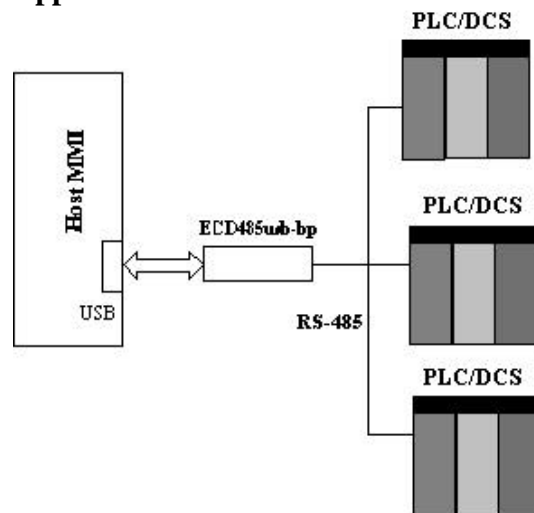
Note: Jumper 1 is for the internal terminator (120 Ohm) selection (factory default setting).

DB9 Male Connector configuration (RS-485)

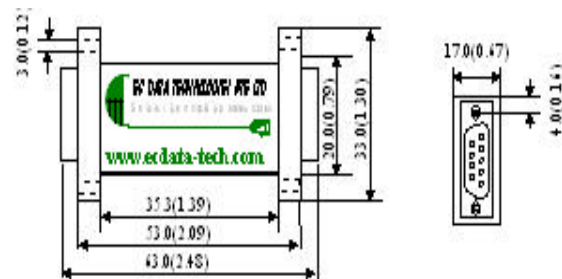


Note: Short Pin7 & Pin8 to activate the internal terminator (120 Ohm)

Application:



Dimensions in mm (inches):



Specifications subject to change without notice.