



## **Model: ECD485Enet**

### **Isolated Device Server ECD485Enet**

The **ECD485Enet** safely and easily connects industrial device with serial interface (RS-485/422, 2 or 4-wire) to an Ethernet network using TCP/IP protocol family (TCP for transparent stream, and UDP for datagram applications) providing the ultimate in isolation, surge, and noise protection. Even the RS-485/422 port and network port are galvanically isolated from the DC supply ground.

600w transient (spike) suppressor diodes are standard on isolated port (RS-485/422); 2 or 3-port galvanic isolation; custom terminating resistor value available.

Isolation, industrial design, small size, DIN rail mount, user indication, and wide range DC supply make the **ECD485Enet** a very engineer-friendly device for your industrial data communication system.

## **Specification**

### **Network Interface**

Standards	: TCP/IP, UDP/IP, DHCP, SNMP, SSL/TLS HTTP, SMTP, ICMP, IGMP and ARP
Interface	: 10/100Base-T Ethernet
Connector	: RJ45
User Indications	: Network Link and Activity indication

### **Serial Interface**

Interface	: EIA/RS-485/422
Connector	: 5-pin compression terminal block
Data Rate	: Up to 230,400bps (configurable)
Characters	: Configurable (5,6,7,8 databits)
Parity	: Configurable (odd, even, none, mark, space)
Stop Bits	: Configurable ( 1,2 bits)
User Indications	: Txd and Rxd Indication

### **Isolation**

RS-485 to Ethernet	: complete galvanic isolation 2.5Kv
Supply to Ethernet	: complete galvanic isolation 2.5Kv
Supply to RS-485	: complete galvanic isolation 2.5Kv

### **Power Supply**

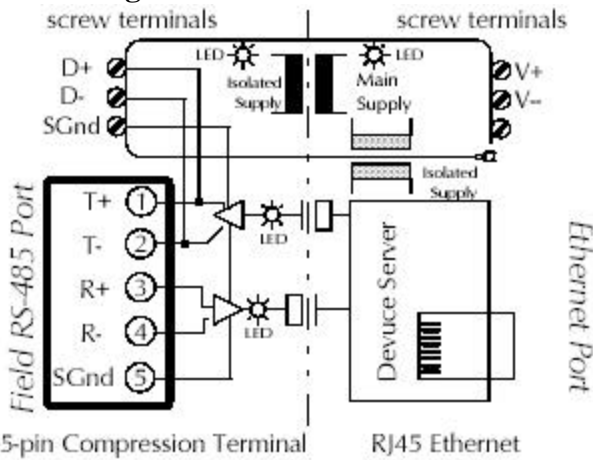
8~56Vdc	: 2.5w normal operation
5Vdc +/-5%	: 400mA normal operation
User Indications	: Green LEDs for power indication



**Mechanical / Environment**

- Operating Range : 0C to +60C
- Storage Range : -40c to +100C
- Relative Humidity : 10 to 90% RH, non-condensing
- D-shell Connector : 9-pin, 30μ gold pins/sockets rated 500 cycles
- Case Material : nylon polymide, fungus and termite resistant self-extinguishing
- Weight : approx 130g
- Mounting Rail : DIN EN 50 022 or DIN EN 50 035

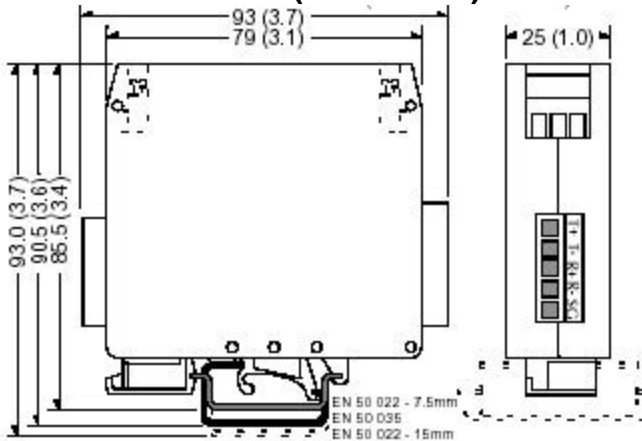
**Block Diagram**



**Order Information**

ECD485Enet			Isolated Device Server ECD485Enet
	-5v		5v +/-5% Regulated DC Power
	-dv		8v to 56v Unregulated DC Power
		-2p	Non-isolated, Ethernet Gnd = Power Gnd
		-3p	Fully isolated (Ethernet, RS-485 and Power)

**Dimensions in mm (and inches)**



Specifications subject to change without notice.